

# BV-BRC Test Report

## D3. Phylogeny Data Tab

<b>Item to test</b>	<b>Phylogeny Data Tab</b>
<b>URL</b>	<a href="https://www.bv-brc.org/view/Taxonomy/662#view_tab=phylogeny">https://www.bv-brc.org/view/Taxonomy/662#view_tab=phylogeny</a>
<b>Prerequisites</b>	None
<b>References</b>	<a href="https://www.bv-brc.org/docs/quick_references/organisms_taxon/overview.html">https://www.bv-brc.org/docs/quick_references/organisms_taxon/overview.html</a>
<b>Tester(s)</b>	Rebecca Wattam, Ron Kenyon
<b>Test date</b>	6-Jan-2022 (original-passed), 8-May-2022 (follow-up-passed)
<b>Test result</b>	<b>Passed</b>

### Overview

- Test the Phylogeny Tab.
- Test the data tab with example bacterial genus.
- Test phylogram and cladogram view.
- Test node selection.
- Test Genome Group and Genome View action buttons.

### Test Results

- Test results were verified by examination of returned data via inspection.
- All operations performed as expected.

## Vibrio:

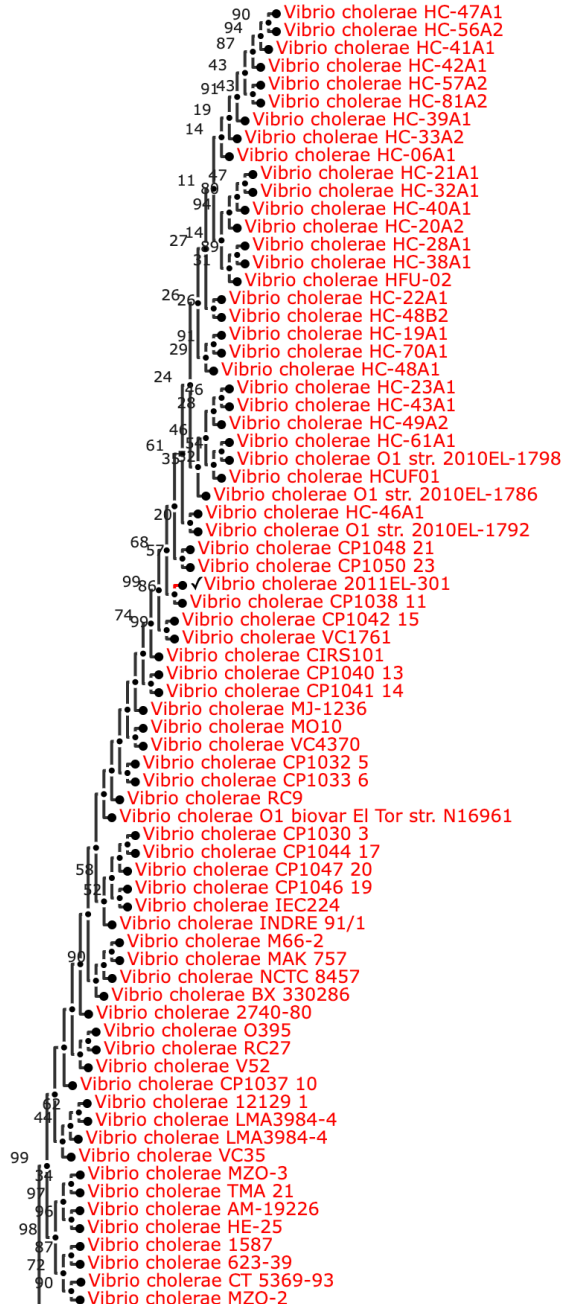
### Phylogram:

Taxon View

Bacteria » Proteobacteria » Gammaproteobacteria » Vibrionales » Vibrionaceae » **Vibrio** ( 6412 Genomes )

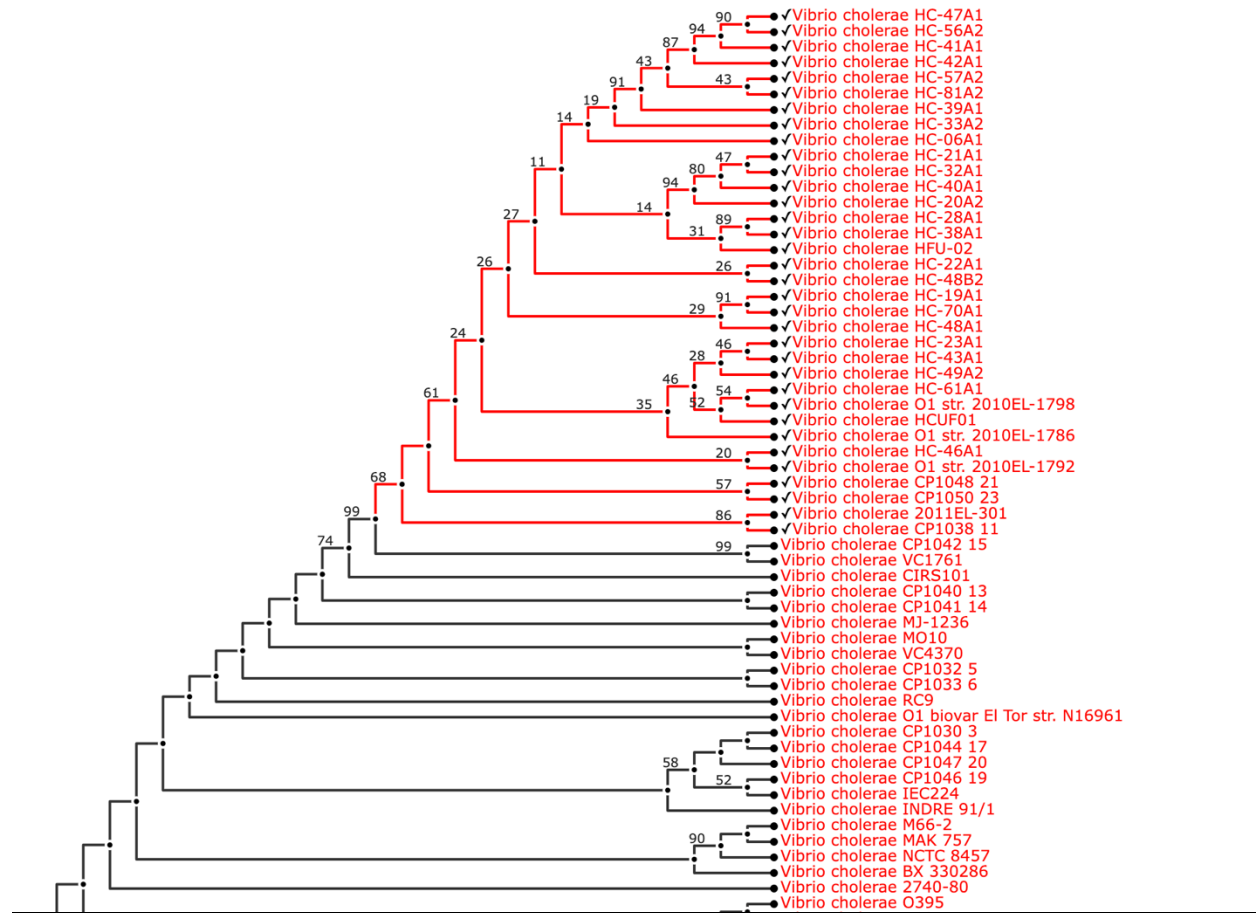
Overview **Phylogeny** Taxonomy Genomes AMR Phenotypes Sequences Proteins Protein Structures Specialty Genes

phylogram ▾ Vibrionales order level tree (242 genomes)





Node selection:



Genome Group Action Button:

The image shows a phylogenetic tree of *Vibrio cholerae* strains. A dialog box is overlaid on the tree, titled "Add selected items to group". The dialog box contains the following fields and options:

- New/Existing:** A dropdown menu set to "New Group".
- Group Folder (defaults to your groups folder):** A dropdown menu set to "Genome Groups".
- Group Name:** A text input field containing "Vibrio Genome Group".

At the bottom right of the dialog box are "Cancel" and "Add" buttons. The background tree shows various *Vibrio cholerae* strains, including:

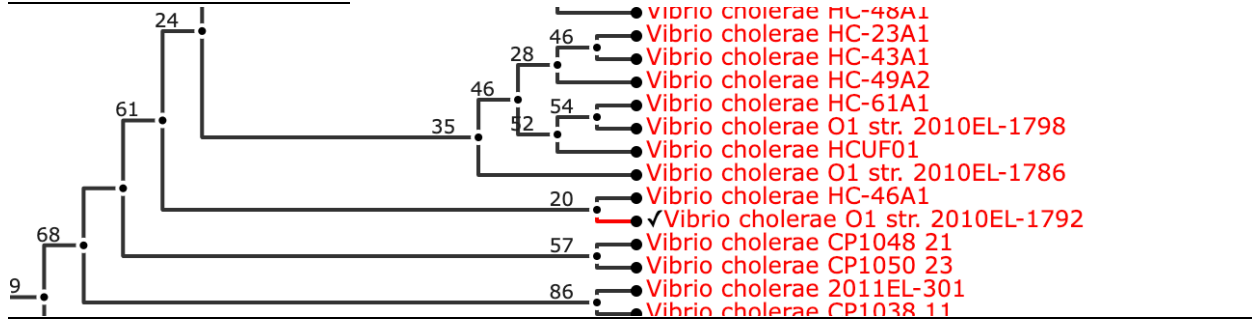
- Vibrio cholerae HC-47A1
- Vibrio cholerae HC-56A2
- Vibrio cholerae HC-41A1
- Vibrio cholerae HC-42A1
- Vibrio cholerae HC-57A2
- Vibrio cholerae HC-81A2
- Vibrio cholerae HC-39A1
- Vibrio cholerae HC-33A2
- Vibrio cholerae HC-06A1
- Vibrio cholerae HC-21A1
- Vibrio cholerae HC-32A1
- Vibrio cholerae HC-40A1
- Vibrio cholerae HC-20A2
- Vibrio cholerae HC-28A1
- Vibrio cholerae HC-38A1
- Vibrio cholerae HFU-02
- Vibrio cholerae HC-22A1
- Vibrio cholerae HC-48B2
- Vibrio cholerae HC-19A1
- Vibrio cholerae HC-70A1
- Vibrio cholerae HC-48A1
- Vibrio cholerae HC-23A1
- Vibrio cholerae HC-43A1
- Vibrio cholerae HC-49A2
- 2010EL-1798
- 2010EL-1786
- 2010EL-1792
- El Tor str. N16961
- Vibrio cholerae CP1030
- Vibrio cholerae CP1044

rkenyon / home / Genome Groups (38 items)

UPLOAD ADD FOLDER SHOW HIDDEN

Name	Size	Owner	Members	Created
Vibrio genome group	34 genomes	me	2 members	5/8/22, 12:29 PM
brucella reference genomes	4 genomes	me	2 members	1/5/22, 1:20 PM
SRR2188006-1A	5 genomes	me	2 members	8/29/19, 3:16 PM

Genome View Action Button:



Genome View  
 Bacteria » Proteobacteria » Gammaproteobacteria » Vibrionales » Vibrionaceae » Vibrio » Vibrio cholerae » **Vibrio cholerae O1 str. 2010EL-1792**

Overview | AMR Phenotypes | Phylogeny | Genome Browser | Circular Viewer | Sequences | Proteins | Protein Structures | Specialty Genes | Domains and Motifs | Protein Families

Interactions

**Vibrio cholerae O1 str. 2010EL-1792**

Length: 4014995bp, Contigs: 105

General Info	
Genome ID	925769.13
Genome Name	Vibrio cholerae O1 str. 2010EL-1792

Taxonomy Info	
Taxon ID	925769
Superkingdom	Bacteria
Kingdom	Bacteria
Phylum	Proteobacteria
Class	Gammaproteobacteria
Order	Vibrionales
Family	Vibrionaceae
Genus	Vibrio
Species	Vibrio cholerae

Status	
Genome Status	WGS

Type Info	
Strain	2010EL-1792
MLST	MLST.Vibrio_cholerae.69

Database Cross Reference	
Completion Date	11/11/2010
BioProject Accession	PRJNA60005
BioSample Accession	SAMN00138733
Assembly Accession	GCA_000166495.2
SRA Accession	SRR074111,SRR074112
Genbank Accessions	AELJ00000000

Sequence Info	
Sequencing Centers	Centers for Disease Control and Prevention
Sequencing Status	assembly
Sequencing Platform	454; Solexa
Sequencing Depth	220x
Assembly Method	Newbler v. 2.3; CLCBio v. 4.0.2

Genomic Features		
	PATRIC	RefSeq
CDS	3641	0
tRNA	52	0
pseudogene	44	0
rRNA	4	0

Protein Features		
	PATRIC	RefSeq
Hypothetical proteins	630	0
Proteins with functional assignments	3011	0
Proteins with EC number assignments	934	0
Proteins with GO assignments	923	0
Proteins with Pathway assignments	672	0
Proteins with Subsystem assignments	1342	0
Proteins with PATRIC genus-specific family (PLfam) assignments	3636	0
Proteins with PATRIC cross-genus family (PGfam) assignments	3636	0
Proteins with FIGfam assignments	3580	0

Specialty Genes		
	Source	Genes
Virulence Factor	Victors	131
Virulence Factor	VFDB	49
Virulence Factor	PATRIC_VF	15
Transporter	TCDB	92
Human Homolog	Human	42
Drug Target	DrugBank	45